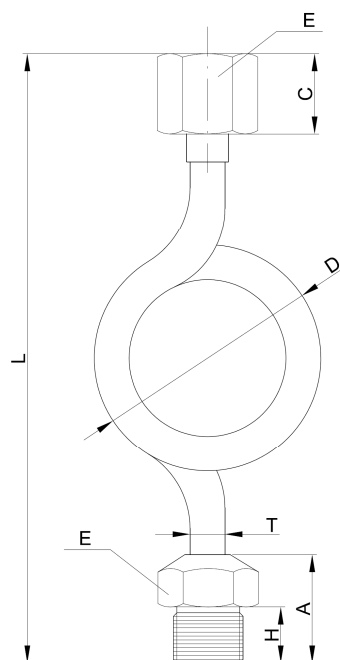


COILS

COIL with threaded connections male / female (revolving)



Code:
 Chromed steel: DS TC CS
 Stainless steel: DS TC SS
 Copper: DS TC CU

Standard execution:

- Size: 1/4" - 3/8" - 1/2"
- 180° execution
- Material: chromed steel, stainless steel (AISI 304) and copper
- Threaded connections BSP (GAS) M/F
- Revolving female

On request:

- 90° execution
- Material: Stainless steel (AISI 316)

Chromed steel

DN	L	T	D	A	C	H	E
1/4"	140	6x8	60	20	14	12	17
3/8"	165	7x10	65	29	20	14	22
1/2"	180	7x10	65	33	23	16	24

Stainless steel (AISI 304)

DN	L	T	D	A	C	H	E
1/4"	155	5x7	60	23	17	12	17
3/8"	195	7x10	65	30	20	14	22
1/2"	195	7x10	65	34	24	16	24

Copper

DN	L	T	D	A	C	H	E
1/4"	150	6x8	70	24	14	12	17
3/8"	160	7x10	65	23	18	14	22
1/2"	170	7x10	65	30	19	16	26