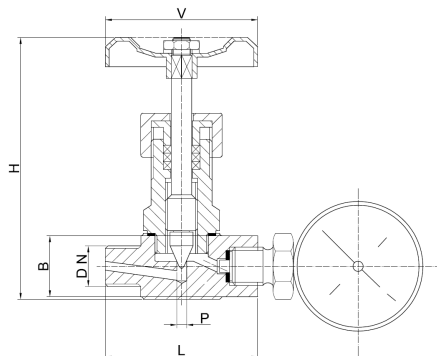
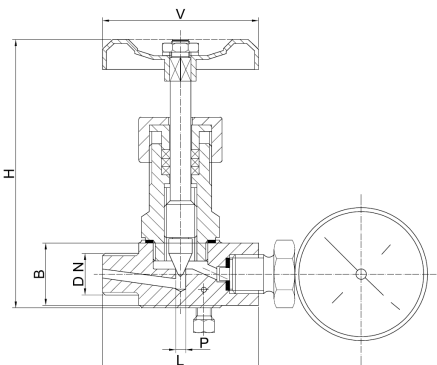


NEEDLE VALVES

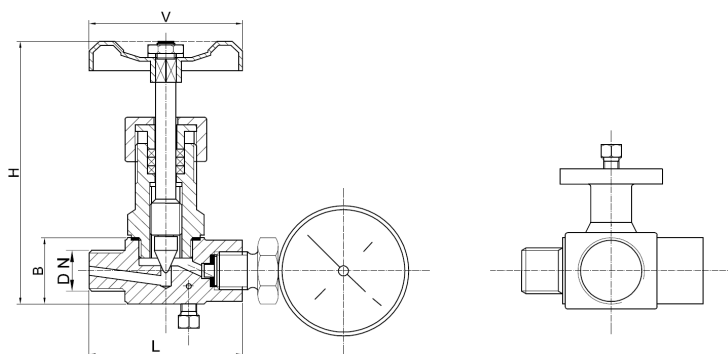
MANOMETER SETTING NEEDLE VALVE Class 3000 psi



Two way
Code: DS NV M2S 3000



Two way with zero setting screw
Code: DS NV M2P 3000



Three way with control flange and
zero setting screw
Code: DS NV M3F 3000

Execution	CS	SS
Body	ASTM A105 galvanized	AISI 316L
Bonnet	ASTM A105 galvanized	AISI 316
Needle	AISI 316L	AISI 316L
Stem	AISI 316L	AISI 316L
Packing	PTFE	PTFE
Handwheel	Stamped steel	Stamped steel

DN	L	P	B	V	H	Weight
1/4"	60	3,5	30	70	115	0,6
3/8"	60	4	30	70	115	0,6
1/2"	60	4	30	70	115	0,6

Standard execution:

- Moving needle
- Threaded connections BSP (GAS) M/F or NPT M/F

On request:

- Class 6000 psi
- Fixed needle
- Welding connections SW or BW
- Bakelite handwheel or bar handwheel
- Graphite packing for high temperature