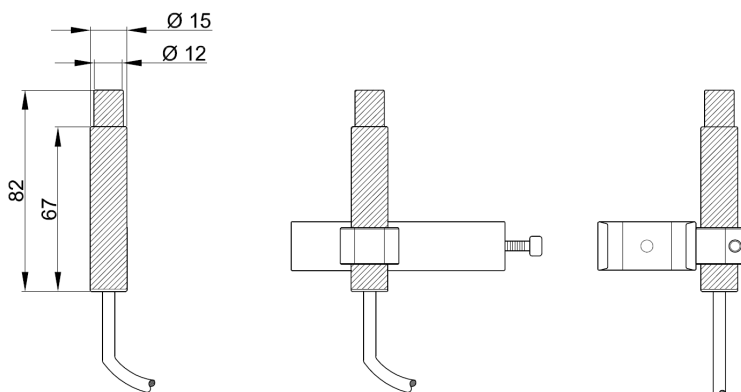


ACCESSORIES FOR MAGNETIC LEVEL GAUGES

MAGNETIC SWITCH type TIM NSB 1240

Magnetic switches are used to monitor certain limits of the level.
The obtained binary signal can be forwarded to trigger alarms or other controls.



Code: TIM NSB 1240

Technical data:

Code	TIM NSB 1240
Contact type	SPDT
Contact behaviour	Bistable
Working	Change-over
Contact material	Fe/Ni with Rodio
Max. power rating	60 VA / 30 W
Max. current rating	0,8 A
Max. voltage rating	220 V
Life time	100 million of controls
Operating frequency	250 imp/s
Repeatability precision	0,1 mm
Impact resistance	30 g / 11 ms
Vibrations resistance	0,35 mm 10-55Hz
Working temperature	-30°C / +160°C
Housing protection	IP 67
Housing material	LAESTRA (SPS) G40
Connection cable	Silicone 3 x 0,75 mmq; Length 3 m Nominal voltage 300 / 500 V Test voltage 2 KV According to table 5 of Standards CEI 20-29

Connection diagram:

