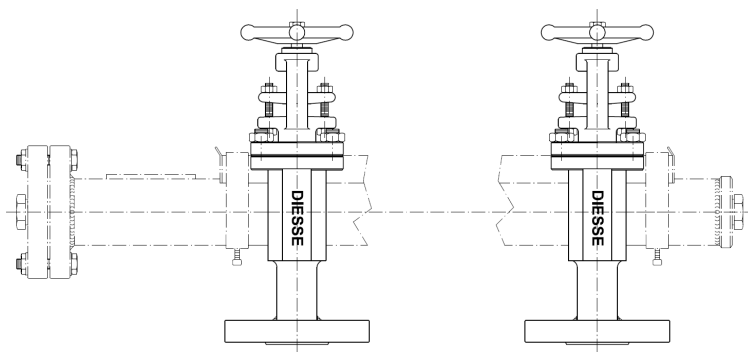


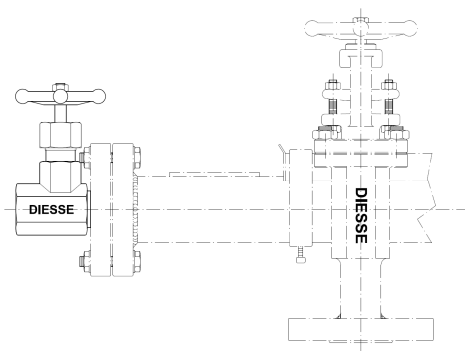
ACCESSORIES FOR MAGNETIC LEVEL GAUGES

SHUT OFF VALVES globe type



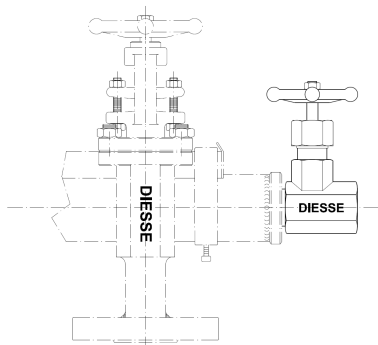
Code: SHV

DRAIN VALVE globe type



Code: DHV

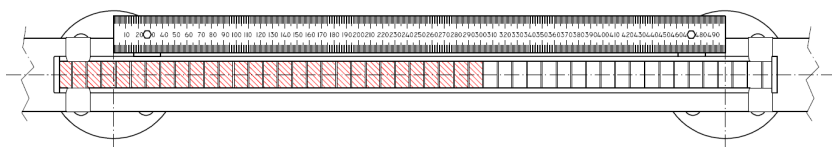
VENT VALVE globe type



Code: DHVS

CALIBRATED SCALE

The calibrated scale (millimeters) is in stainless steel, the values are engraved and black coloured. The standard indication correspond to the centre-to-centre distance of the level gauge. On request other materials and graduations can be supplied.



Code: VSG