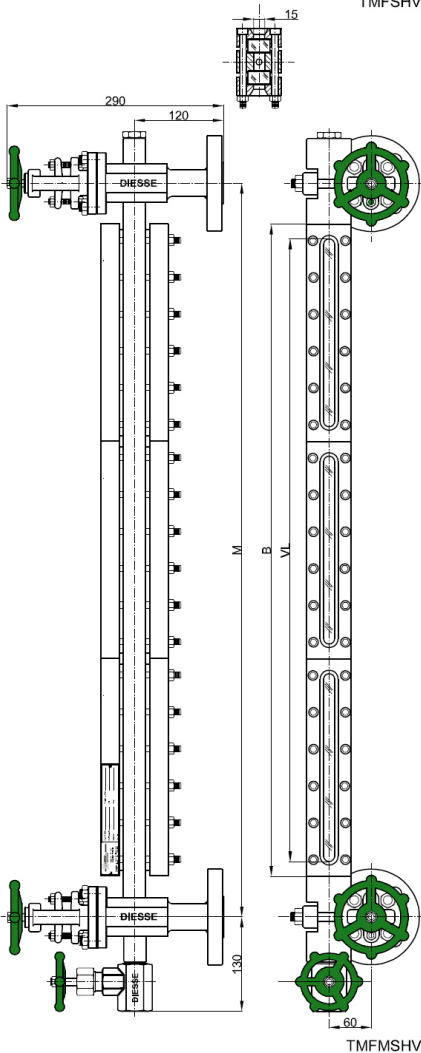
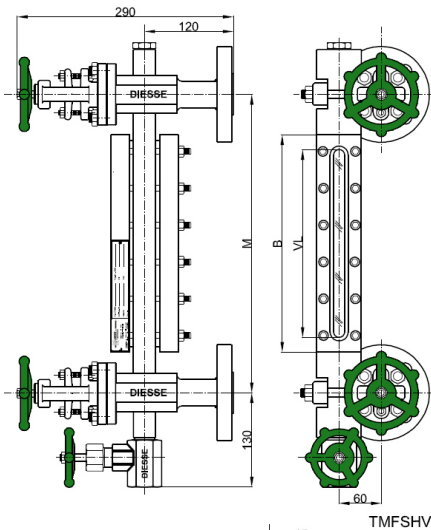


## GLASS LEVEL GAUGE TRANSPARENT TYPE PN40 and PN64 / Class 300 DS LG - TMF SHV

Code: DS LG-TMF... /40/RF-SHV... /...M...-CS/CS



### Technical data

#### Service conditions

Max Pressure: PN40 e PN64; Class 300 (A105: 51 bar @ 38°C; AISI 316L: 49,6 bar @ 38°C)  
Max Temperature: 300°C (According to DIN 7081 for glasses, see page 1.69)

#### View

Standard: front, on request lateral (right or left) adjustable in the production phase

#### Distance (Centre-to-centre)

Standard: see below table for minimum distance (Fixed distance, not adjustable)  
Option: On request intermediate distances and over 3.000 mm

#### Materials (Standard)

Execution:	CS/CS	SS/CS	SS/SS
Gauge body:	ASTM A105 / A105 LF2	AISI 316L	AISI 316L
Valves body:	A105 LF2	AISI 316L	AISI 316L
Stem, disc / seat valves:	AISI 410 / AISI 316	AISI 316	AISI 316
Non-wetted parts:	Carbon steel galvanized	Carbon steel galvanized	AISI 316

#### Gaskets

Standard: graphite/copper

Option: graphite/AISI 316 or PTFE/AISI316

#### Shut-off valves

DS SHV: globe type

Handling: by handwheel

Process connections:

Standard flanges: UNI PN40-64 DN15-20-25 ANSI #150-300/RF DN 1/2" - 3/4" - 1"

Standard threaded unions: GAS-M 1/2" - 3/4" NPT-M 1/2" - 3/4"

Options: further connections types or direct connections to the process without shut-off valves

(See page 1.53)

Vent: Standard: threaded 1/2" with plug

Option: see page 1.54

Drain: Standard: valve DS DHV threaded 3/4"

Option: see page 1.54

#### Glasses

Transparent - Borosilicate glass, "extra hard" and thermally pre-stressed - According to DIN 7081

Standard: fitted with type B (See page 1.69)

Option: type A (See page 1.69)

#### Accessories

See from page 1.55

#### Weights

Housing DS TMF: see below table

Valves DS SHV: Kg. 11,8 approx. (With flanges UNI DN20 PN40)

#### Tightening torque of housing screws

Standard: 35 Nm

#### Spare parts

Housing DS TMF: see from page 1.69 (Drawing with components and parts list see page 1.64)

Valves DS SHV: see from page 1.74 (Drawing with components and parts list see page 1.68)

CODE	TYPE	BODY Length [mm]	DISTANCE MINIMUM SL [mm]	VISIBLE Length [mm]	GLASS Length [mm]	WEIGHT Housing [Kg]
	x No. el.	B	M = B+80	VL	x No. elements	
11	1x1	130	210	95	115x1	5,4
12	2x1	155	235	120	140x1	6,1
13	3x1	180	260	145	165x1	6,7
14	4x1	205	285	170	190x1	7,2
15	5x1	235	315	200	220x1	8,1
16	6x1	265	345	230	250x1	8,8
17	7x1	295	375	260	280x1	9,5
18	8x1	335	415	300	320x1	10,4
19	9x1	360	440	320	340x1	11,2
24	4x2	410	490	375	190x2	12,4
25	5x2	470	550	435	220x2	14,2
26	6x2	530	610	495	250x2	15,4
27	7x2	590	670	555	280x2	17,0
28	8x2	670	750	635	320x2	18,8
29	9x2	720	800	680	340x2	20,4
36	6x3	795	875	760	250x3	22,1
37	7x3	885	965	850	280x3	24,5
38	8x3	1005	1085	970	320x3	27,2
39	9x3	1080	1160	1040	340x3	29,6
47	7x4	1180	1260	1145	280x4	32,0
48	8x4	1340	1420	1305	320x4	35,6
49	9x4	1440	1520	1400	340x4	38,8
57	7x5	1475	1555	1440	280x5	39,5
58	8x5	1675	1755	1640	320x5	44,0
59	9x5	1800	1880	1760	340x5	48,0
68	8x6	2010	2090	1975	320x6	52,4
69	9x6	2160	2240	2120	340x6	57,2
78	8x7	2345	2425	2310	320x7	60,8
79	9x7	2520	2600	2480	340x7	66,4
88	8x8	2680	2760	2645	320x8	69,2
89	9x8	2880	2960	2840	340x8	75,6

Tab. TMF