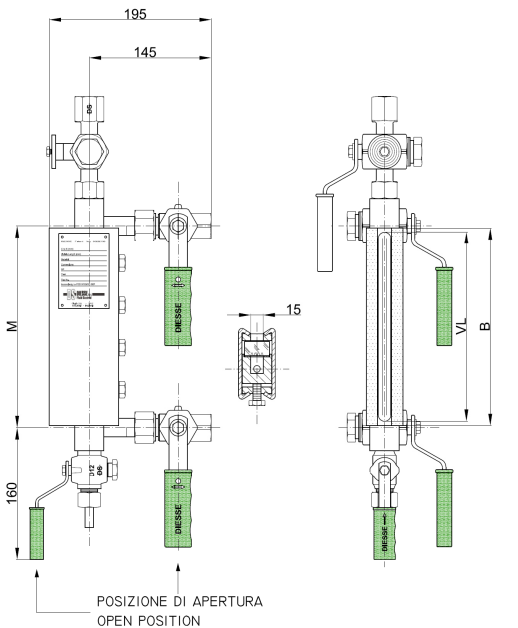


GLASS LEVEL GAUGE REFLEX TYPE PN25

DS LG - RBFPM D18

Code: DS LG-RBFPM...-1/2"GASF-D18/D12/PM18-M....-CS/CS



RBFPM

Technical data

Service conditions

Max Pressure: PN25
Max Temperature: 170°C

View

Standard: front, on request lateral (right or left) adjustable in the production phase

Distance (Centre-to-centre)

On request, Fixed distance, not adjustable

Materials (Standard)

Execution: CS/CS
Gauge body & cocks body: ASTM A105
Cocks trim: AISI 303
Non-wetted parts: Carbon steel galvanized

Gaskets

Standard: graphite/copper

Shut-off cocks

Standard: cylindrical plug cocks DS D18 threaded 1/2" BSP-F - Quick 90° closing (See page 3.4)
Handling: lever operated with PP handle

Process connections:

Standard: threaded 1/2" BSP-F (With cylindrical plug cocks DS D18)
threaded M28x2-F (With revolving female connections - without valves)

Vent:

Standard: three way cylindrical plug manometer setting valve with control flange DS PM18 threaded 1/2" BSP-F (See page 3.5)

Handling: lever operated with PP handle

Option: on request threaded 1/2" BSP-F with plug (Without cock)

Drain:

Standard: with cylindrical plug cock DS D12 threaded 1/2" BSP-M with drain tube - Quick 90° closing (See page 3.3)

Handling: lever operated with PP handle

Glasses

Reflex - Borosilicate glass, "extra hard" and thermally pre-stressed - According to DIN 7081

Standard: fitted with type A (See page 1.69)

Option: type B (See page 1.69)

Accessories

See from page 1.55

Weights

Housing DS RBFPM: see below table

Cocks DS D18: Kg. 0,9 unit approx.

Cock DS PM18: Kg. 1,2 unit approx.

Cock DS D12: Kg. 0,5 unit approx.

Tightening torque of housing screws

Standard: 40 Nm

Spare parts

Housing DS RBFPM: see from page 1.69 (Drawing with components and parts list see page 1.61)

Cocks DS D18: see from page 1.72

Cock DS PM18: see from page 1.72

Cock DS D12: see from page 1.72

CODE	TYPE	BODY Length [mm]	DISTANCE [mm]	VISIBLE Length [mm]	GLASS Length [mm]	WEIGHT Housing [Kg]
	x No. el.	B	M	VL		
11	1x1	130	On request	95	115	2,4
12	2x1	155	On request	120	140	2,8
13	3x1	180	On request	145	165	3,3
14	4x1	205	On request	170	190	3,8
15	5x1	235	On request	200	220	4,3
16	6x1	265	On request	230	250	4,9
17	7x1	295	On request	260	280	5,4
18	8x1	335	On request	300	320	6,1
19	9x1	360	On request	320	340	6,6

Tab. RBFPM