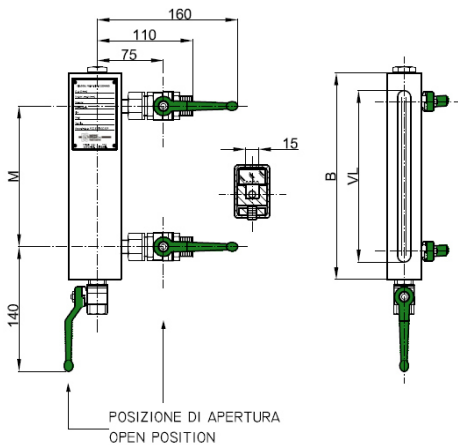


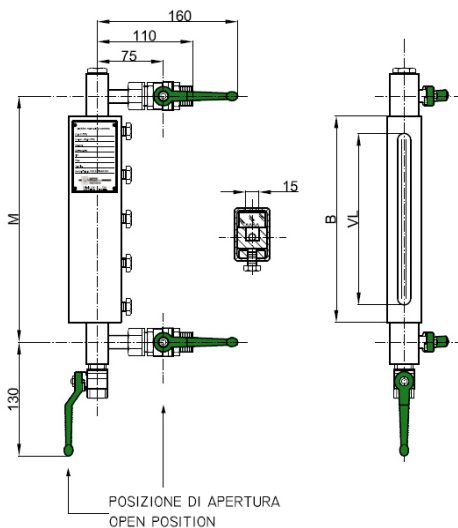
GLASS LEVEL GAUGE REFLEX TYPE PN16

DS LG - RTF SBB / D12

Code: DS LG-RTF...-1/2"GASM-SBB/DBB/PB-M...-CS/CS



RTF



RTF

Technical data

Service conditions

Max Pressure: PN16

Max Temperature:

- With PTFE gaskets and ball valves DS SBB: 120°C

- With graphite gaskets and cylindrical plug cocks DS D12: 170°C

View

Standard: front, on request lateral (right or left) adjustable in the production phase

Distance (Centre-to-centre)

On request, Fixed distance, not adjustable

Materials (Standard)

Execution:

Gauge body:

Body, ball and sealing of ball valves DS SBB:

Body, trim and sealing of cocks DS D12:

Non-wetted parts:

CS/CS

ASTM A105

Brass (CW617N) / Brass (CW617N) / PTFE

ASTM A105 / AISI 303 / Graphite

Carbon steel galvanized

Gaskets

Standard: PTFE/copper

Option: graphite/copper

Valves

Standard: ball valves DS SBB threaded 1/2" BSP-M - Quick 90° closing

Handling: lever operated

Option: on request cylindrical plug cocks DS D12 threaded 1/2" BSP-M or 1/2" BSP-F - Quick 90° closing (See page 3.3)

Handling: lever operated with PP handle

Process connections:

Standard: threaded 1/2" BSP-M (With ball valves DS SBB)

threaded 1/2" BSP-F (With revolving female connections - without valves)

Vent:

Standard: threaded 3/8" BSP-F with plug

Drain:

Standard: ball valve DS DBB threaded 3/8" BSP-F - Quick 90° closing

Handling: lever operated

Option:

on request with cylindrical plug cocks DS D12 threaded 3/8" BSP-F or BSP-M

Glasses

Reflex - Borosilicate glass, "extra hard" and thermally pre-stressed - According to DIN 7081

Standard: fitted with type A (See page 1.69)

Accessories

See from page 1.55

Weights

Housing DS RTF: see below table

Ball valve DS SBB: Kg. 0,2 unit approx.

Cock DS D12: Kg. 0,5 unit approx.

Tightening torque of housing screws

Standard: 20 Nm

Spare parts

Housing DS RTF: see from page 1.69 (Drawing with components and parts list see page 1.61)

Cocks DS D12: see from page 1.72

CODE	TYPE	BODY Length [mm]	DISTANCE [mm]	VISIBLE Length [mm]	GLASS Length [mm]	WEIGHT Housing [Kg]
	x No. el.	B	M	VL		
11	1x1	130	On request	95	115	1,8
12	2x1	155	On request	120	140	2,0
13	3x1	180	On request	145	165	2,2
14	4x1	205	On request	170	190	2,5
15	5x1	235	On request	200	220	2,9
16	6x1	265	On request	230	250	3,2
17	7x1	295	On request	260	280	3,6
18	8x1	335	On request	300	320	4,0
19	9x1	360	On request	320	340	4,3

Tab. RTF