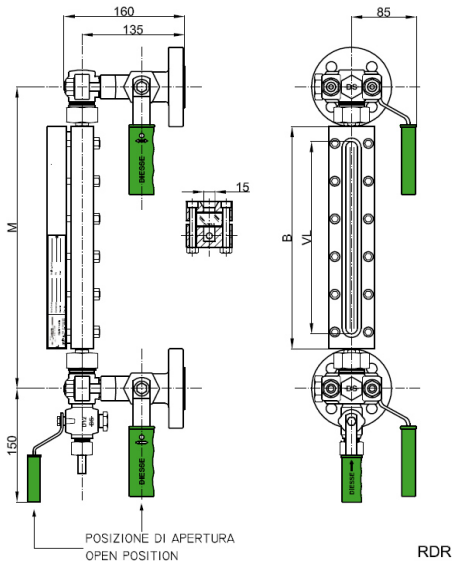


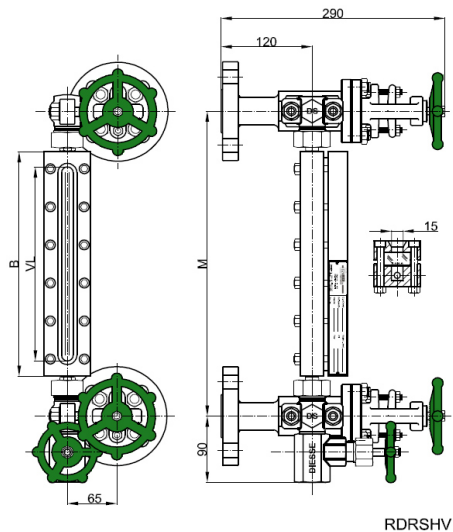
## GLASS LEVEL GAUGE REFLEX TYPE PN40

### DS LG - RDR GR18 / SHV

Code: DS LG-RDR... /40/RF-GR18/...-M...-CS/CS



Code: DS LG-RDR... /40/RF-SHV/...-M...-CS/CS



### Technical data

#### Service conditions

Max Pressure: PN40

Max Temperature: 300°C (According to DIN 7081 for glasses, see page 1.69)

#### View

Standard: adjustable on 360° in the installation phase

#### Distance (Centre-to-centre)

Standard: see below table (**Distance adjustable - 0 mm / + 10 mm**)

Option: On request intermediate distances and over 500 mm

#### Materials (Standard)

Execution:	CS/CS	SS/CS	SS/SS
Gauge body:	ASTM A105	AISI 316L	AISI 316L
Cocks body DS GR18:	ASTM A105	AISI 316L	AISI 316L
Cocks trim:	AISI 303	AISI 316	AISI 316
Valves body DS SHV:	A105 LF2	AISI 316L	AISI 316L
Stem, disc / seat valves:	AISI 410 / AISI 316	AISI 316	AISI 316
Non-wetted parts:	Carbon steel galvanized	Carbon steel galvanized	AISI 316

#### Gaskets

Standard: graphite/copper

Option: graphite/AISI 316 or PTFE/AISI316

#### Shut-off cocks

DS GR18: cylindrical plug type - Straight type - Quick 90° closing

Handling: lever operated with PP handle (Standard: right; Option: left)

Valves DS SHV: globe type - Opening/Closing by handwheel

#### Process connections:

Standard flanges: UNI PN40 DN15-20-25 ANSI #150-300/RF DN ½" - ¾" - 1"

Standard threaded unions: BSP-M ½" - ¾" NPT-M ½" - ¾"

Options: further connections types or direct connections to the process without shut-off cocks

(See page 1.49)

**Vent:** Standard: blind

Option: see page 1.50

**Drain:** Standard: cock DS D12 threaded ½"

Option: see page 1.50

#### Shut-off valves

DS SHV: globe type

Handling: by handwheel

#### Process connections:

Standard flanges: UNI PN40-64 DN15-20-25 ANSI #150-300/RF DN ½" - ¾" - 1"

Standard threaded unions: BSP-M ½" - ¾" NPT-M ½" - ¾"

Options: further connections types or direct connections to the process without shut-off valves

(See page 1.53)

**Vent:** Standard: threaded ½" with plug

Option: see page 1.54

**Drain:** Standard: valve DS DHV threaded ¾"

Option: see page 1.54

#### Glasses

Reflex - Borosilicate glass, "extra hard" and thermally pre-stressed - According to DIN 7081

Standard: fitted with type B (See page 1.69)

Option: type A (See page 1.69)

#### Accessories

See from page 1.55

#### Weights

Housing DS RDR: see below table

Cocks DS GR18: Kg. 7,4 approx. (With flanges UNI DN20 PN40)

Valves DS SHV: Kg. 11,8 approx. (With flanges UNI DN20 PN40)

#### Tightening torque of housing screws

Standard: 35 Nm

#### Spare parts

Housing DS RDR: see from page 1.69 (Drawing with components and parts list see page 1.62)

Cocks DS GR18: see from page 1.72 (Drawing with components and parts list see page 1.66)

Valves DS SHV: see from page 1.74 (Drawing with components and parts list see page 1.68)

CODE	TYPE	BODY Length [mm]	DISTANCE SL Pipes L = 57 M [-0/+10 mm]	DISTANCE HL Pipes L = 70 M [-0/+10 mm]	VISIBLE Length [mm]	GLASS Length [mm]	WEIGHT Housing [Kg]
	x No. el	B	M = B+105	M = B+130	VL		
11	1x1	130	235	260	95	115	2,9
12	2x1	155	260	285	120	140	3,4
13	3x1	180	285	310	145	165	3,8
14	4x1	205	310	335	170	190	4,4
15	5x1	235	340	365	200	220	5,2
16	6x1	265	370	395	230	250	5,6
17	7x1	295	400	425	260	280	6,0
18	8x1	335	440	465	300	320	6,5
19	9x1	360	465	490	320	340	7,5

Tab. RDR