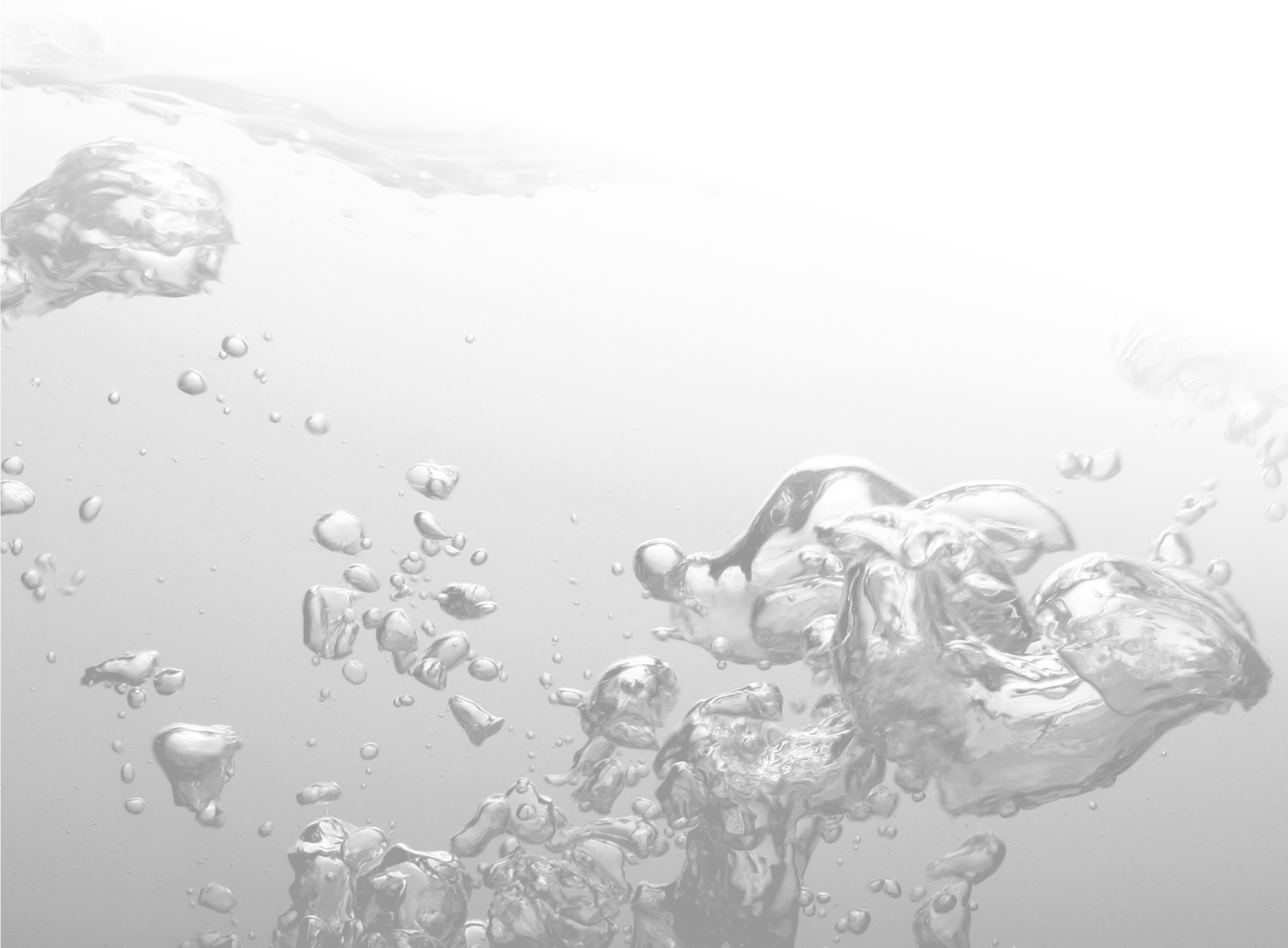




accessories for magnetic level gauges

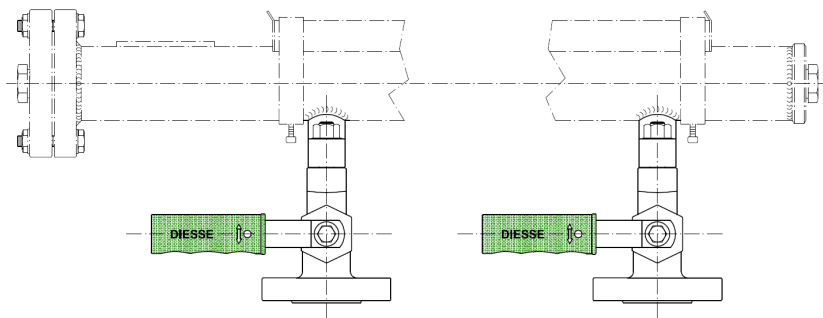


ACCESSORIES FOR MAGNETIC LEVEL GAUGES

The DIESESE magnetic level gauges can be equipped with shut-off cocks, drain cock and vent cock.
The shut-off cocks are connected to the main chamber by special T flanges with stainless steel AISI 316 gaskets.

SHUT OFF COCKS cylindrical plug type

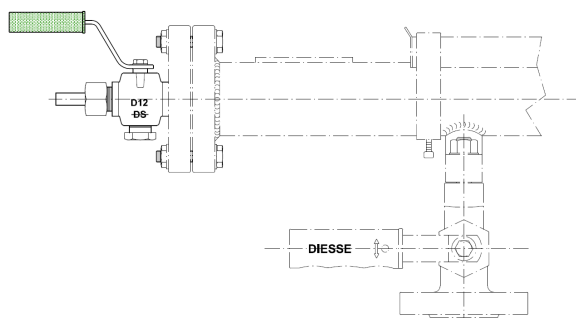
Handling: lever operated with PP handle - Quick 90° closing



Code: GR18

DRAIN COCK cylindrical plug type

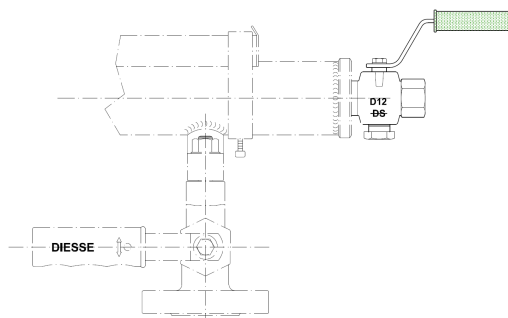
Handling: lever operated with PP handle - Quick 90° closing



Code: D12

VENT COCK cylindrical plug type

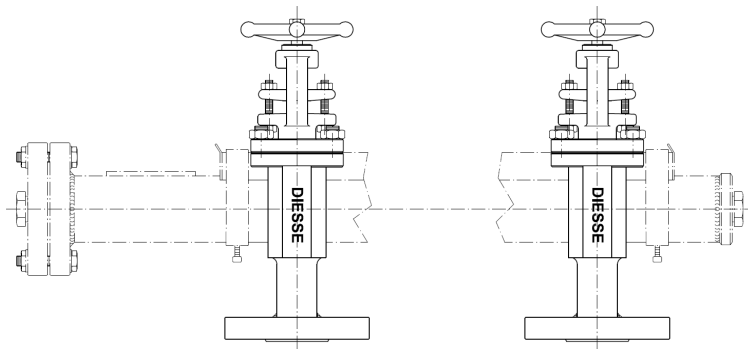
Handling: lever operated with PP handle - Quick 90° closing



Code: D12S

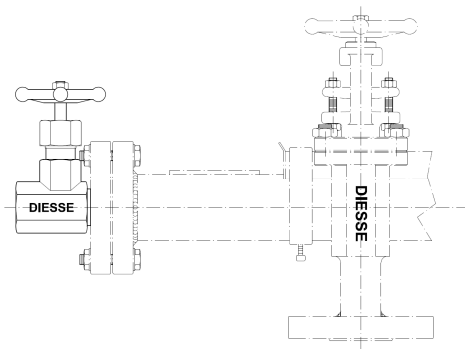
ACCESSORIES FOR MAGNETIC LEVEL GAUGES

SHUT OFF VALVES globe type



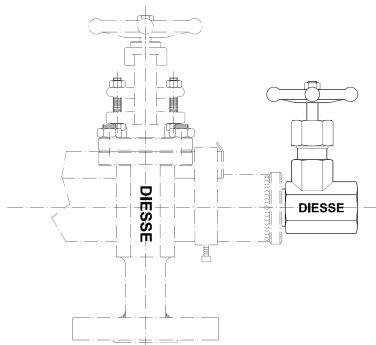
Code: SHV

DRAIN VALVE globe type



Code: DHV

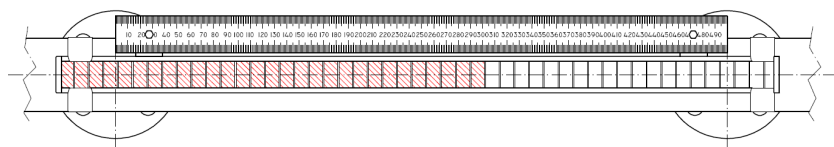
VENT VALVE globe type



Code: DHVS

CALIBRATED SCALE

The calibrated scale (millimeters) is in stainless steel, the values are engraved and black coloured. The standard indication correspond to the centre-to-centre distance of the level gauge. On request other materials and graduations can be supplied.

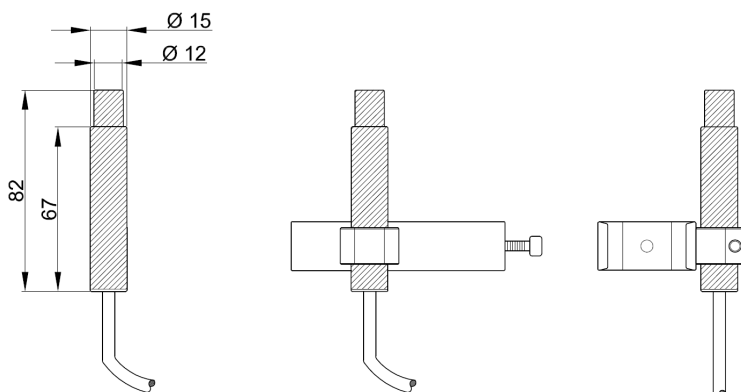


Code: VSG

ACCESSORIES FOR MAGNETIC LEVEL GAUGES

MAGNETIC SWITCH type TIM NSB 1240

Magnetic switches are used to monitor certain limits of the level.
The obtained binary signal can be forwarded to trigger alarms or other controls.

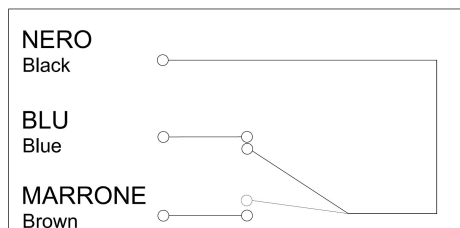


Code: TIM NSB 1240

Technical data:

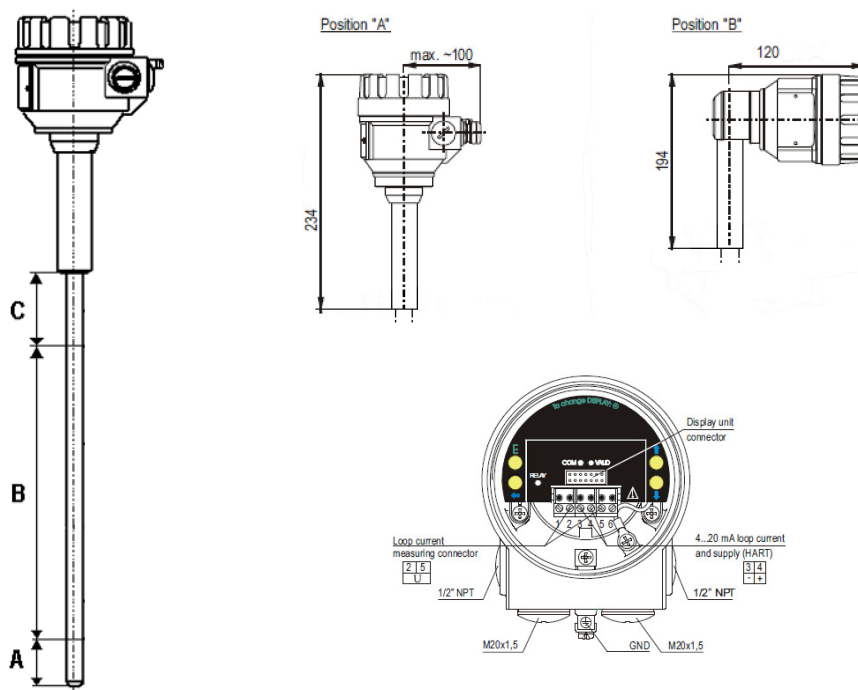
Code	TIM NSB 1240
Contact type	SPDT
Contact behaviour	Bistable
Working	Change-over
Contact material	Fe/Ni with Rodio
Max. power rating	60 VA / 30 W
Max. current rating	0,8 A
Max. voltage rating	220 V
Life time	100 million of controls
Operating frequency	250 imp/s
Repeatability precision	0,1 mm
Impact resistance	30 g / 11 ms
Vibrations resistance	0,35 mm 10-55Hz
Working temperature	-30°C / +160°C
Housing protection	IP 67
Housing material	LAESTRA (SPS) G40
Connection cable	Silicone 3 x 0,75 mmq; Length 3 m Nominal voltage 300 / 500 V Test voltage 2 KV According to table 5 of Standards CEI 20-29

Connection diagram:



ACCESSORIES FOR MAGNETIC LEVEL GAUGES

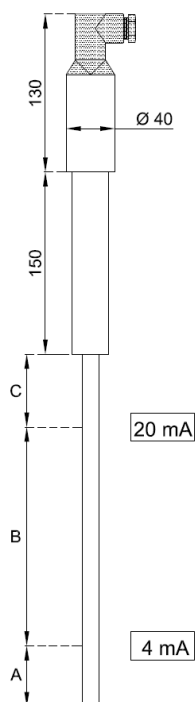
LEVEL TRANSMITTER



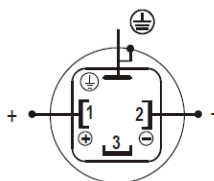
Technical data:

Code	DS LTM-MTU-5- ...
Contact type	Magnetostrictive
Measured process value	Liquid level, distance, volume
Housing material	Paint coated aluminium
Tube material	Stainless steel 316 Ti
Measure A	50 mm (Standard) Other measures on request
Measure C	120 mm (Standard) 140 mm (High temperature)
Ambient temperature	-40 ... 70°C, with display -25 ... 70°C On request: execution for high temperature with thermal insulation
Output	Analogue: 4 ... 20 mA (Limit values: 3,9 ... 20,5 mA) On request: with SAP 300 graphic display
Damping time	Adjustable 0 s ... 99 s
Error indication	22 mA oppure 3,8 mA or "holding"
Output load	$R_t = (U_t - 12,5V) / 0,02 A$, $U_t =$ Power supply voltage
Power supply	12,5 V - 36 V DC, 2 wires
Electrical protection	Class III
Ingress protection	IP 67
Electric connection	2x M20x1,5 plastic cable glands for 6 ... 12 mm + 2x NPT 1/2" internal thread for cable protective pipe terminal block for 0,5 ... 1,5 mm ² (AWG 20 ... AWG 15)
Resolution	1 mm
Nonlinearity	± 2 mm or $\pm 0,02\%$
Hysteresis	$< \pm 1$ mm
Temperature error	0,04 mm / 10°C (between -25°C ... 50°C)
Current output data	Resolution: 2 μ A, Accuracy: 10 μ A, Temperature error: 200 ppm/°C
Accessories	SAP-300 Plug-in display module

LEVEL TRANSMITTER



Connection diagram:



Technical data:

Code	DS LTM-MIU-X- ...
Contact type	Magnetostrictive
Measured process value	Liquid level, distance, volume
Tube material	Stainless steel 316 Ti
Measure A	50 mm (Standard) Other measures on request
Measure C	60 mm (Standard) 130 mm (High temperature)
Ambient temperature	-40 ... 70°C On request: execution for high temperature with thermal insulation
Output	Analogue: 4 ... 20 mA (Limit values: 3,9 ... 20,5 mA) Digital communication: HART® (minimum loop resistance: 250 Ω)
Error indication	Output signal = 22 mA or 3,8 mA
Output load	$R_t = (U_t - 12,5V) / 0,02 A$, U_t = Power supply voltage
Power supply	12,5 V - 36 V, 2 wires
Electrical protection	Class III
Ingress protection	IP 65
Electric connection	Electrical connector DIN 43650
Resolution (on HART® trasmitted value)	1 mm
Nonlinearity (on HART® trasmitted value)	± 2 mm or ± 0,085% F.S. whichever is greater
Hysteresis	± 0,25 mm
Temperature error	0,04 mm / 10°C (between -25°C ... 50°C)
Current output data	Resolution: 0,4 µA, Accuracy: 33 µA, Temperature error: 6 ppm/°C