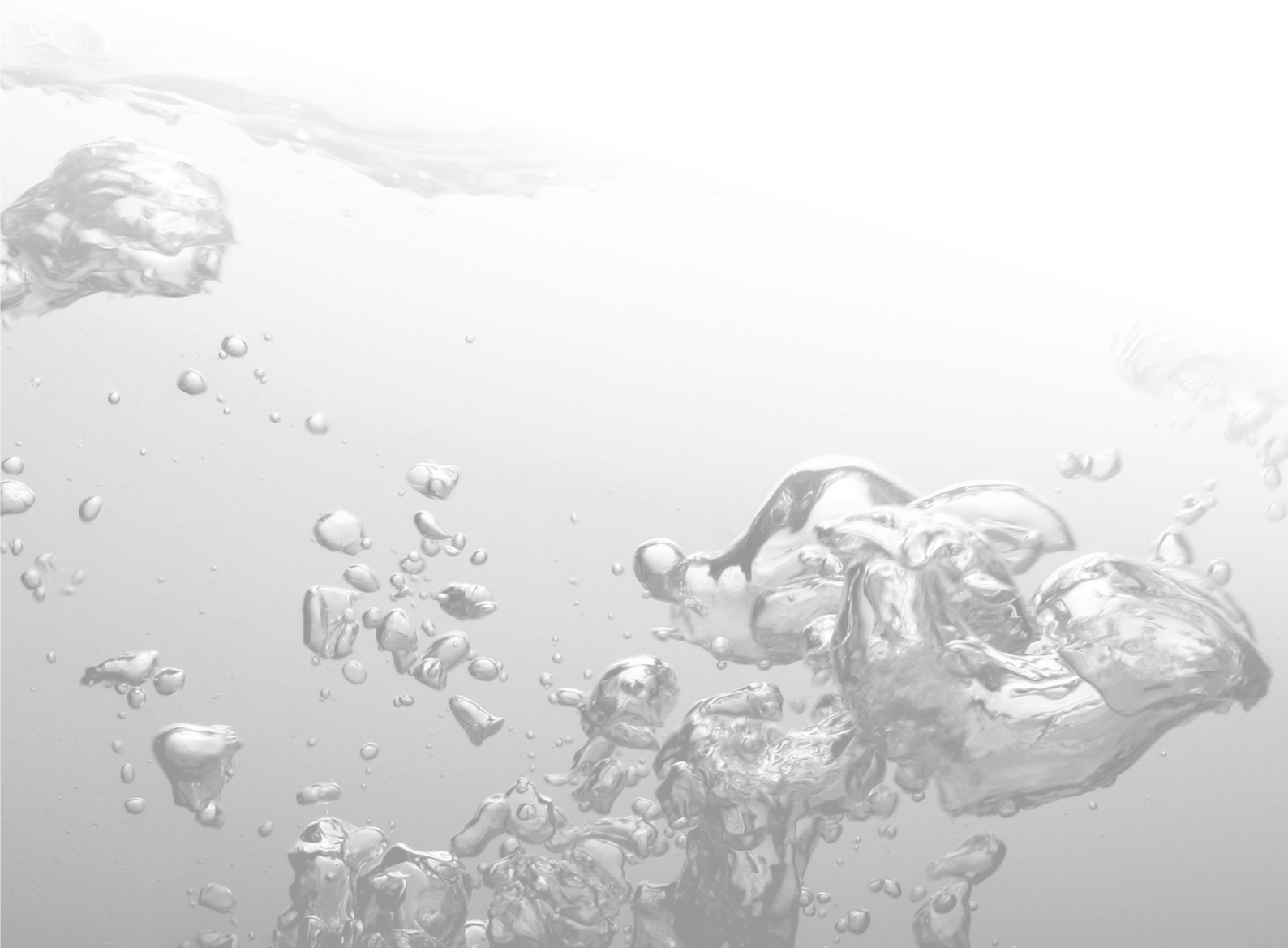


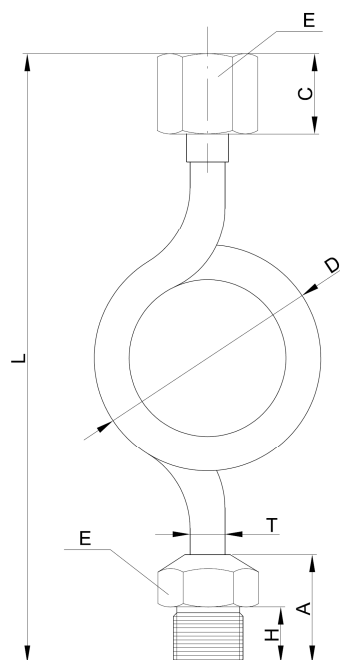


coils



COILS

COIL with threaded connections male / female (revolving)



Code:
 Chromed steel: DS TC CS
 Stainless steel: DS TC SS
 Copper: DS TC CU

Standard execution:

- Size: 1/4" - 3/8" - 1/2"
- 180° execution
- Material: chromed steel, stainless steel (AISI 304) and copper
- Threaded connections BSP (GAS) M/F
- Revolving female

On request:

- 90° execution
- Material: Stainless steel (AISI 316)

Chromed steel

| DN | L | T | D | A | C | H | E |
|------|-----|------|----|----|----|----|----|
| 1/4" | 140 | 6x8 | 60 | 20 | 14 | 12 | 17 |
| 3/8" | 165 | 7x10 | 65 | 29 | 20 | 14 | 22 |
| 1/2" | 180 | 7x10 | 65 | 33 | 23 | 16 | 24 |

Stainless steel (AISI 304)

| DN | L | T | D | A | C | H | E |
|------|-----|------|----|----|----|----|----|
| 1/4" | 155 | 5x7 | 60 | 23 | 17 | 12 | 17 |
| 3/8" | 195 | 7x10 | 65 | 30 | 20 | 14 | 22 |
| 1/2" | 195 | 7x10 | 65 | 34 | 24 | 16 | 24 |

Copper

| DN | L | T | D | A | C | H | E |
|------|-----|------|----|----|----|----|----|
| 1/4" | 150 | 6x8 | 70 | 24 | 14 | 12 | 17 |
| 3/8" | 160 | 7x10 | 65 | 23 | 18 | 14 | 22 |
| 1/2" | 170 | 7x10 | 65 | 30 | 19 | 16 | 26 |