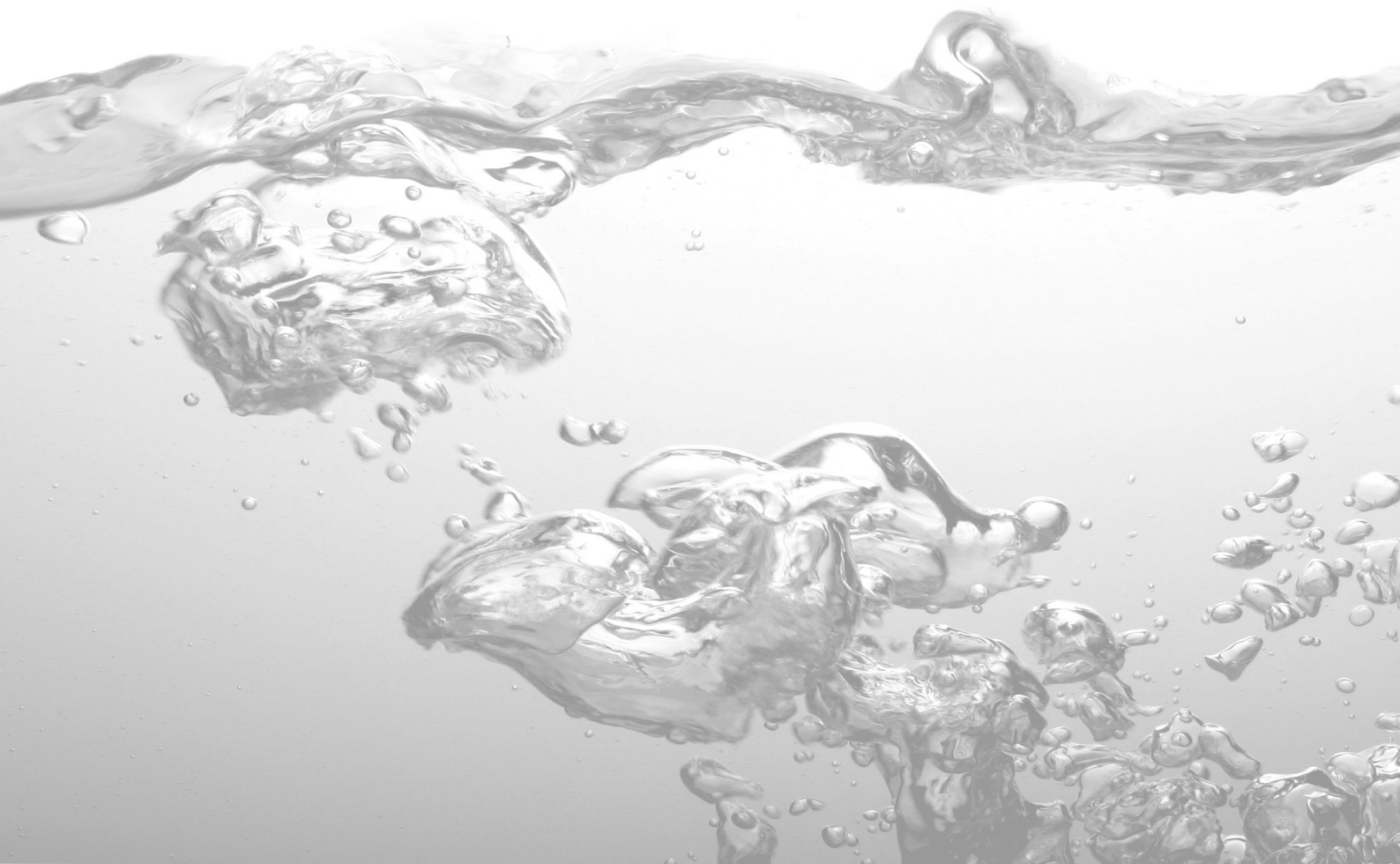


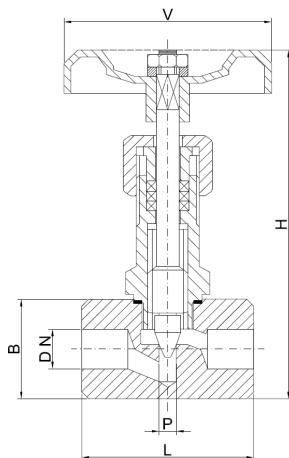


needle valves



NEEDLE VALVES

NEEDLE VALVE Class 3000 psi (Light type)



Code:
Light type: DS NV 3000
Heavy type: DS NV HB 3000

Execution	CS	SS
Body	ASTM A105 galvanized	AISI 316L
Bonnet	ASTM A105 galvanized	AISI 316
Needle	AISI 316L	AISI 316L
Stem	AISI 316L	AISI 316L
Packing	PTFE	PTFE
Handwheel	Stamped steel	Stamped steel

DN	L	P	B	V	H	Weight
1/4"	60	5	30	70	115	0,6
3/8"	60	6	30	70	115	0,6
1/2"	60	6	30	70	115	0,6
3/4"	70	7,5	35	70	118	0,7
1"	75	9	40	80	136	1,0
1" 1/4	90	11,5	50	125	165	1,2
1" 1/2	100	16	60	125	175	2,7
2"	120	19	70	125	185	4,1

Standard execution:

- Moving needle
- Threaded connections BSP (GAS) F/F or NPT F/F

On request:

- Class 6000 psi
- Fixed needle
- Welding connections SW or BW
- Threaded connections BSP (GAS) M/M or NPT M/M
- Flanged connections UNI or ANSI
- Drain screw
- Calibrated opening index
- Bakelite handwheel or bar handwheel
- Graphite packing for high temperature

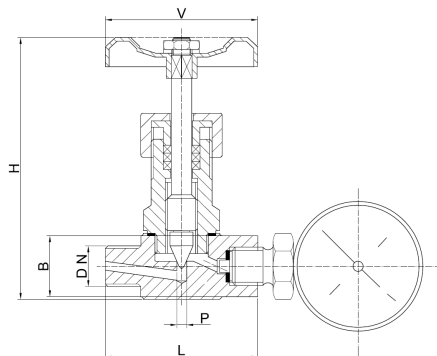
NEEDLE VALVE Class 3000 psi (Heavy type)

Execution	CS	SS
Body	ASTM A105 galvanized	AISI 316/L
Bonnet	ASTM A105 galvanized	AISI 316
Needle	F6 / AISI 410	AISI 316/L
Stem	F6 / AISI 410	AISI 316
Packing	PTFE	PTFE
Handwheel	Stamped steel	Stamped steel

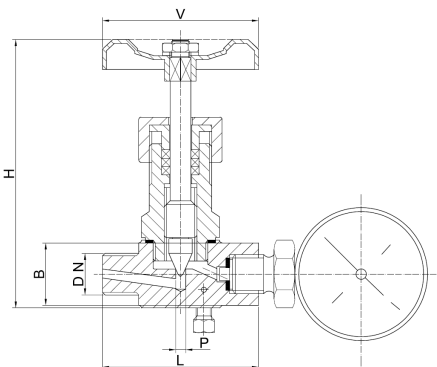
DN	L	P	B	V	H	Weight
1/4"	61	5	30	70	115	0,6
3/8"	61	6	30	70	115	0,6
1/2"	70	8	35	70	118	0,8
3/4"	78	9	40	80	135	1,1
1"	90	11	50	100	170	2,0
1" 1/4	100	15	60	100	180	2,5
1" 1/2	130	19	70	125	195	3,0
2"	140	22	80	150	210	3,5

NEEDLE VALVES

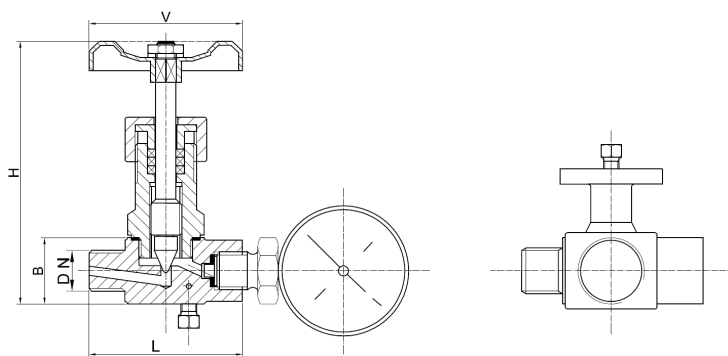
MANOMETER SETTING NEEDLE VALVE Class 3000 psi



Two way
Code: DS NV M2S 3000



Two way with zero setting screw
Code: DS NV M2P 3000



Three way with control flange and
zero setting screw
Code: DS NV M3F 3000

Execution	CS	SS
Body	ASTM A105 galvanized	AISI 316L
Bonnet	ASTM A105 galvanized	AISI 316
Needle	AISI 316L	AISI 316L
Stem	AISI 316L	AISI 316L
Packing	PTFE	PTFE
Handwheel	Stamped steel	Stamped steel

DN	L	P	B	V	H	Weight
1/4"	60	3,5	30	70	115	0,6
3/8"	60	4	30	70	115	0,6
1/2"	60	4	30	70	115	0,6

Standard execution:

- Moving needle
- Threaded connections BSP (GAS) M/F or NPT M/F

On request:

- Class 6000 psi
- Fixed needle
- Welding connections SW or BW
- Bakelite handwheel or bar handwheel
- Graphite packing for high temperature